

MARKOPRINT INTEGRA ONE

Compact inkjet printer for system integration

- + Compact design very suitable for system integration
- + Print height up to 12.7 mm, print resolution up to 600 dpi
- + For absorbent and non-absorbent surfaces
- + Achieves print speeds of up to 180 m/min
- + Integrated photo sensor for product detection



IDEAL ALL-ROUNDER FOR INTEGRATION INTO PRODUCTION SYSTEMS

Integrating inkjet labeling systems into production systems is not always easy due to the limited space available. We have a particularly compact thermal inkjet printer in our range for such applications: the Markoprint integra One with HP cartridge technology. The encoder with its small external dimensions can be easily installed in existing or new systems - for maximum planning freedom.

A large selection of water- and solvent-based HP inks allows the labeling of almost all absorbent and non-absorbent surfaces. The Markoprint integra One prints text, 1D barcodes, 2D codes and graphics in high resolution and delivers brilliant print results on products and packaging. Paper, carton, painted surfaces, foils and plastics are labelled smudge-proof, legible and durable.



APPLICATIONS



MARKOPRINT INTEGRA ONE

SPECIAL FEATURES



SMARTCARD TECHNOLOGY CONTROLS INK TYPE AND FILL LEVEL

The smart card technology of the ink cartridges ensures consistently good prints. A chip identifies the current ink type and automatically sets the corresponding parameters. There is no need to switch over manually when changing the ink. The ink level is also recorded and displayed in real time. This enables controlled cartridge replacement and prevents unplanned production downtimes. Thanks to the Click'n Print cartridge holder, ink changes are quick and easy.



WIFI VERSION OPTIONALLY AVAILABLE

The optionally available Wi-Fi version of the Markoprint integra One makes it possible to control the printing system flexibly and without cable connections. This allows settings, monitoring, and print jobs to be conveniently carried out remotely, without having to stand directly at the device. It increases freedom of movement in the workplace, reduces installation effort, and ensures particularly convenient and mobile operation of the system.



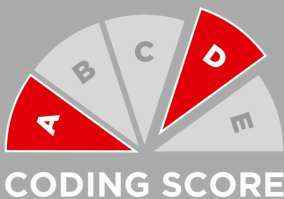
OLED DISPLAY AND ILOGIC

The printing system is equipped with a modern OLED display that provides a clear and easy-to-read view of all relevant information. It allows for straightforward data entry as well as quick verification and adjustment of system settings. Operation is intuitive via the practical iLogic button, which enables simple navigation through the menus. In addition, the display reliably provides up-to-date information on the system's maintenance status at all times.



INTEGRATED PHOTO SENSOR

The photo sensor recognises when a product is in the right position to trigger the printing process. The sensor thus ensures the print quality and position directly at the production system.



CLEAR PERFORMANCE LEVELS FOR FLEXIBLE AND SCALABLE PRINTING SOLUTIONS

The specially developed Coding Score makes it easier to select and configure Markoprint printing systems. The performance levels – PRINT, BASIC, ADVANCED, PRO, and ULTIMATE – are clearly defined, easy to compare, and vary depending on the system. This creates transparency in decision-making and ensures investment security in a marking solution that can be flexibly expanded at any time. New requirements for production, efficiency, or sustainability can be easily integrated, securing consistently powerful and economical processes.

MARKOPRINT INTEGRA ONE

TECHNICAL SPECIFICATIONS

PRINTING SPECIFICATIONS

	Print	Basic	Advanced	Pro
Printer type	Thermal Ink Jet (TIJ)			
Supported printing technology	HP			
Print height	1 - 12,7 mm			
Vertical print resolution up to	600 dpi	600 dpi	600 dpi	600 dpi
Print speed up to	60 m/min	30 m/min	90 m/min	180 m/min
Recommended distance printhead to product	1 mm			
Distance from printhead to product	1 - 4 mm			
Number of printheads up to	1			
Maximum number of production lines	1			
Orientation	From left to right; From right to left			
Function	Lateral printing; Top printing			
Printable content	Text fields; BMP graphics; Counter; Time indication; Date field; Date offset; Input of variables	Text fields; Time indication; Date field; BMP graphics	Barcodes; 2D codes; Text fields; BMP graphics; Counter; Time indication; Date field; Date offset; Input of variables; Fields of action	Barcodes; 2D codes; Text fields; BMP graphics; Counter; Time indication; Date field; Date offset; Input of variables; Fields of action
Barcodes			Code 2 out of 5; Code 39; Code 128; DataMatrix; EAN 8; EAN 13; GS1 DataMatrix; GS1 Databar; QR code; more on request; UPC-A; UPC-E	Code 2 out of 5; Code 39; Code 128; DataMatrix; EAN 8; EAN 13; GS1 DataMatrix; GS1 Databar; QR code; UPC-A; UPC-E
DBPrint	-	-	-	+
PDF direct printing	-			
Fonts	Customized fonts; All Windows fonts			
Software requirements	Processor with at least 1 GHz; Interface for connecting the printing device; PC mouse or touchscreen; DirectX 9 or higher with WDDM 1.0 driver; Min. 30 GB hard disk space; 2 GB for 32-bit or 4 GB for 64-bit; Windows 7, 8, 10			
Interpreter software	integra Command			
Spitting	+			
INK				
Colour	Blue; Yellow; Green; White; Red; Black; UV-visible; UV-curing ¹			
Composition	Solvent-based; Water-based			

¹ A maximum of one ink per system can be used.

MARKOPRINT INTEGRA ONE

HARDWARE

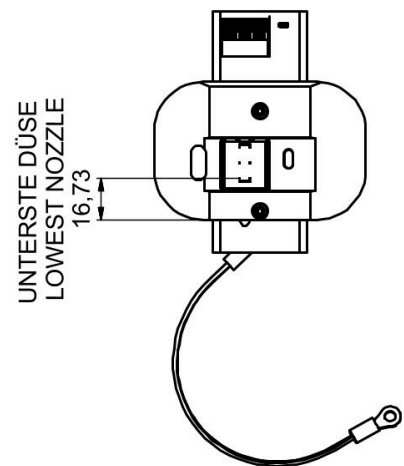
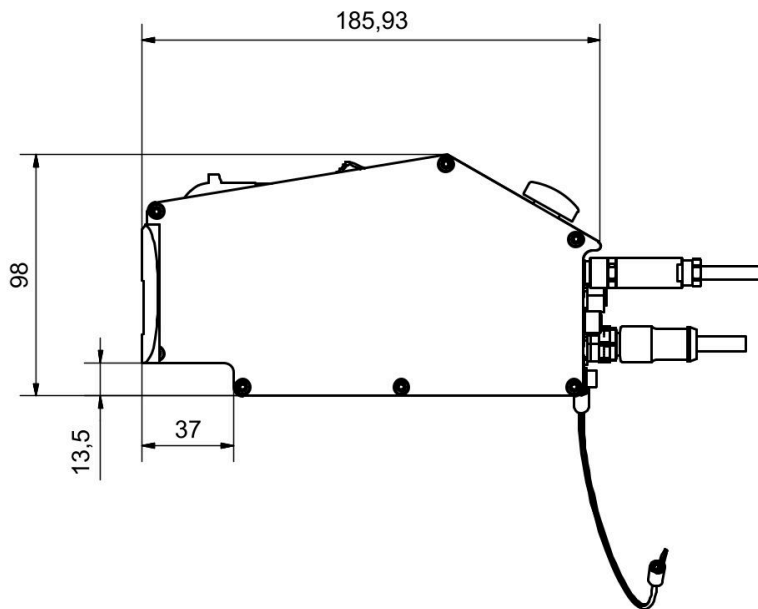
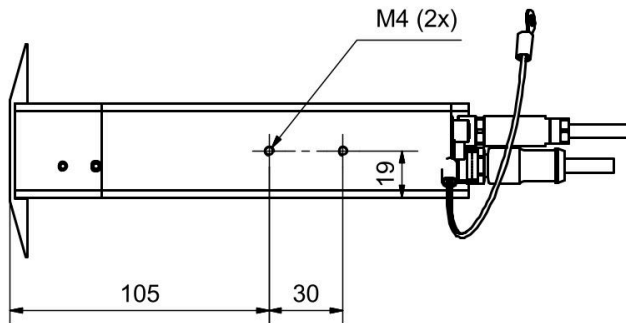
	Print	Basic	Advanced	Pro
Display	OLED display 128x64 pixels			
External control panel/display	integrated display			
Password protection	-	-	-	+
Internal sensor	+			
Sensor signal	NPN			
Shaft encoder signal	Push-pull or NPN; Frequency max:150 kHz; 24 V voltage			
Status/ Alarm outputs	3	3	3	5
Flash memory expansion as an option	-			
USB memory stick slot	+			
SD memory card slot	-			
PCMCIA slot	-			
WIFI	-	-	-	+
interfaces	RS-232; USB (transfer layouts, change settings); M8 connector for shaft encoder and sensor; M12 connector for PoE and inputs and outputs			
Interfaces (optional)	WIFI (optional); Ethernet (TCP/IP)			

PHYSICAL ASPECTS

System dimensions (HxWxL)	98 x 86 x 186 mm
Weight	0.662 kg
IP ingress protection	IP 40
Authorisations	CE
Rel. humidity non-condensing	10 - 90 %
Ambient temperature	5 - 40°C
Supply voltage	90-240 V
Mains frequency	50-60 Hz
Amperage	0.5 A
Power consumption	35 W

MARKOPRINT INTEGRA ONE

TECHNICAL DRAWINGS



MARKOPRINT INTEGRA ONE

ACCESSORIES



ZTV HP

ZTV HP is a cost-effective ink supply system for Markoprint inkjet printers using fast-drying or solvent-based HP Class inks. For coding applications with high ink consumption, the intelligent system enables uninterrupted printing. The large ink tank prevents overall equipment effectiveness (OEE) from being negatively impacted by frequent cartridge changes. It holds 10 times the amount of ink as a single cartridge and can supply up to four cartridges simultaneously. Thanks to lower ink prices, the system pays for itself quickly. Cartridges report their ink level to the ink system in real time and are automatically refilled during printing. The fill-level sensor integrated into the cartridges prevents overfilling. Because the system is pressure-controlled, the bulk system can be installed above, beside, or below the printheads. The height of the system does not matter; an additional regulator is not required.

MARKOPRINT INTEGRA ONE



YOUR RELIABLE PARTNER

+ PERSONAL POINT OF CONTACT

Your personal point of contact from our team will listen to you and explain the options.

+ MADE IN GERMANY

With our Made in Germany production, we guarantee quality and availability.

+ APPROPRIATE SOLUTION

We develop the optimal solution for your requirements, independently of technology.

+ SEAMLESS SERVICE

Our comprehensive service network is always on hand to help.

+ REGIONALLY ROOTED, GLOBALLY CONNECTED

As a family-owned company with branches worldwide, customer relations are always our top priority.

Weber Marking Systems GmbH

Maarweg 33 / 53619 Rheinbreitbach
T +49 (0)2224 77 08 0 / info@webermarking.de
weber-marking.com